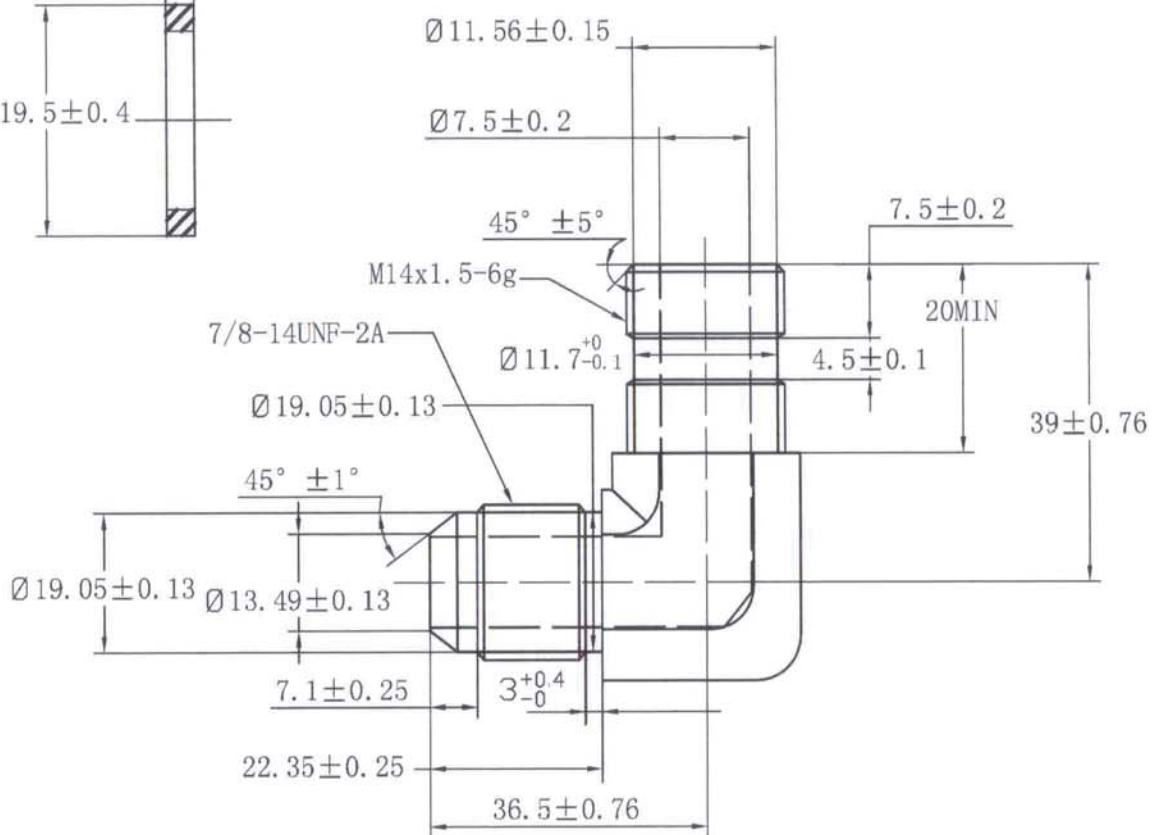
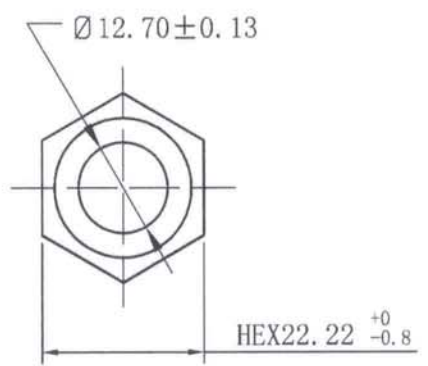
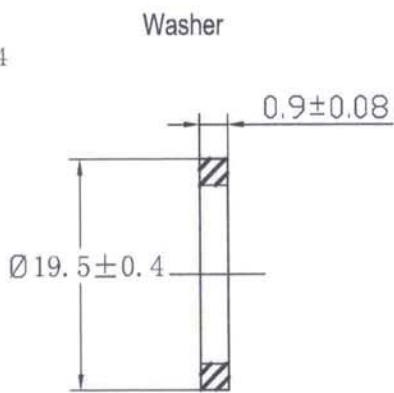
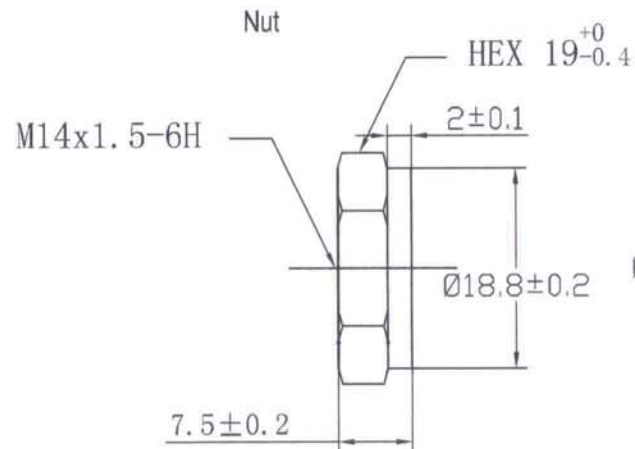


REV 更改号	DATE 日期	REVISION DETAILS 更改内容	APPD 审核并批准
A	2016.8.19	PRODUCTION ISSUE	



UNLESS SPECIFIED
ALL DIMENSIONS IN mm,
MACHINED SURFACES Ra=3.2um,
ANGLE TOLERANCES ±1°,
Other tolerance except angles,
in accordance with
GB/T1804-2000(ISO2768-1)-m and
GB/T1184-1996(ISO 2768-2)-m

其它事项
图示尺寸单位为MM
未注机加工表面粗糙度为Ra=3.2
未注角度公差±1°
其它未注公差（除角度外）均按：
GB/T1804-2000(ISO2768-1)-M和
GB/T1184-1996(ISO 2768-2)-m



PART NO 零件名	41164-10-M14NWO
----------------	-----------------

MATERIAL	Chinese steel 45	材质: 45#
FINISH	Remove all sharp edges, burns, silvers and swarf, break all edges 0.127-0.254mm. zinc plating with 12um microns minimum plating thickness and trivalent chromate passivation and withstand 96 HRS to white/144 HS to red rust in salt spray test.	去除所有毛刺, 铁屑等残留物, 锐边倒钝0.127-0.254MM 镀锌, 三价铬钝化, 银白色, 盐雾试验96小时无白斑。 144小时无红锈, 镀锌层厚度大于12um.

SCALE NTS	APPD: 批准: Zhang	DRN 制图: KEVIN	DATE 日期: 2016.08.19
	DATE 日期: 25/08/16	CHK 审核: YB. ZHAN	DATE 日期: 2016.08.19